

# SNIPER NON-STERILE STAPLE SYSTEM





The Sniper Non-Sterile Staple System provides surgeons additional fixation options for reconstruction procedures for the bones of the foot and ankle. The consolidated set of dynamic compression implants and associated instrumentation offers various sizes and quantities of staple implants from 8-25mm bridge widths.

## STAPLE SYSTEMS




- Low profile, high-strength, super elastic nitinol compression staple implants
- Staple legs designed with dual-barbs or ridges intended to mitigate migration without increasing difficulty of revision
- Reduced internal staple corner radius intended to lower stress and potential implant fractures
- Simple intra-operative reloading capabilities enabled by a quick-release staple spreader
- All system instrumentation and implants are contained in a small autoclavable tray



## SNIPER NON-STERILE STAPLE SYSTEM

				
<b>Staple Size*</b>	8 x 8mm	10 x 10mm	12 x 12mm	15 x 12mm
<b>Wire Size</b>	1.6 x 1.3mm	1.6 x 1.3mm	1.9 x 1.5mm	1.9 x 1.5mm
<b>Part Number</b>	500-08-101	500-10-101	500-12-101	500-15-102

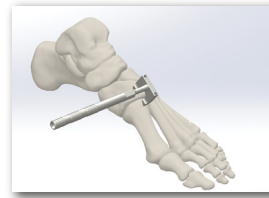
Also available in sterile kits

			
<b>Staple Size*</b>	15 x 15mm	18 x 15mm	18 x 18mm
<b>Wire Size</b>	1.9 x 1.5mm	1.9 x 1.5mm	2.4 x 1.7mm
<b>Part Number</b>	500-15-101	500-18-102	500-18-101

			
<b>Staple Size*</b>	20 x 20mm	20 x 20mm HS (High Strength)	25 x 20mm
<b>Wire Size</b>	2.4 x 1.7mm	2.8 x 1.8mm	2.8 x 1.8mm
<b>Part Number</b>	500-20-101	500-20-201	500-25-101

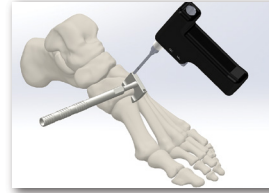
\*Bridge Length x Leg Length

## SURGICAL TECHNIQUE

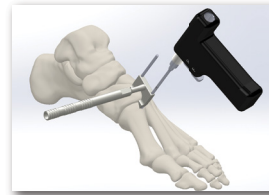


**STEP 1:** Place a bone clamp to create the necessary compression across the osteotomy or fusion site.

**STEP 2:** Place desired drill guide across the osteotomy or fusion site.

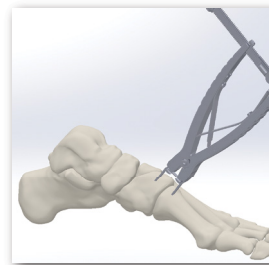


**STEP 3:** Drill the first hole to the correct depth in the bone using the appropriate sized pilot drill. Toggle the proximal shaft of the snap-off pilot drill to remove the drill shaft and create a post. Insert supplied locating pin if the 2.0mm or 2.5mm pilot drill was used.



**STEP 4:** Pivot drill guide if necessary.

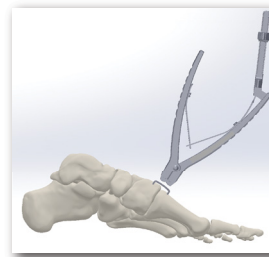
**STEP 5:** Drill the second hole in the bone by inserting the pilot drill into the adjacent drill guide hole.



**STEP 6:** Remove the drill guide and locating pin.

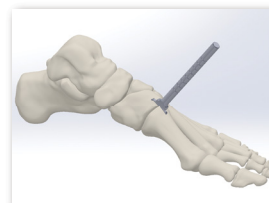
**STEP 7:** Select the staple with bridge width corresponding to the drill guide used.

**STEP 8:** Use the appropriate staple spreader to spread the staple apart to a parallel leg position. Maintain the staple position by using the locking nut on the staple spreader.



**STEP 9:** Insert the staple legs into the pre-drilled pilot holes until the dispenser abuts the osteotomy or fusion site.

**STEP 10:** Release locking nut mechanism on the staple spreader to release the staple and compress the osteotomy.



**STEP 11:** Using the tamp, push on the staple bridge until final, flush staple placement is achieved.

### STAPLE REMOVAL (IF NECESSARY)

**STEP 1:** Locate staple with intra-operative imaging.

**STEP 2:** Palpate the staple and remove surrounding soft tissue to gain maximum exposure.

**STEP 3:** Use forceps or pliers to remove by pulling on the staple bridge.

FDA cleared 510(k) K172405.  
Trilliant products are made in the U.S.A.



T 800.495.2919 F 877.778.3864  
727 North Shepherd Drive, Suite 100 | Houston, TX 77007 | U.S.A.  
djoglobal.com

Copyright © 2021 by DJO, LLC  
900-00-090 Rev D

Individual results may vary. DJO, LLC is a manufacturer of orthopedic implants and does not practice medicine. Only an orthopedic, or foot and ankle surgeon can determine what treatment is appropriate. The contents of this document do not constitute medical, legal, or any other type of professional advice. This material is intended for the sole use and benefit of the DJO, LLC sales force and physicians. It is not to be redistributed, duplicated, or disclosed without the express written consent of DJO, LLC. For more information on risks, warnings, and possible adverse side effects refer to the Instructions for Use provided with the device.