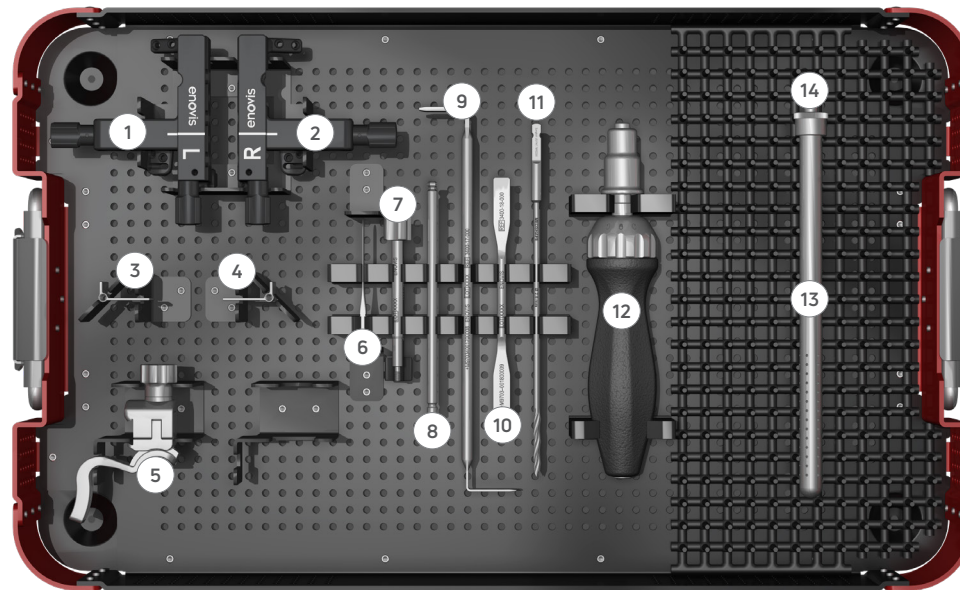


# EVOLVE34™

## TRAY OVERHEAD GUIDE



#	DESCRIPTION	PART #
1	LAPIDUS CORRECTION JIG, LEFT	3400-06-001
2	LAPIDUS CORRECTION JIG, RIGHT	3400-06-000
3	JOINT FINDER SHIM, LEFT	3400-08-001
4	JOINT FINDER SHIM, RIGHT	3400-08-000
5	FIXED LAPIDUS CUT GUIDE	3400-07-000
6	JOINT SHIM	3400-16-000
7	LAPIDUS THREADED HANDLE	3400-10-000

#	DESCRIPTION	PART #
8	LAPIDUS 4MM BALL-END HEX DRIVER	3400-11-000
9	LATERAL RETRACTOR	3400-17-000
10	PADDLE RETRACTOR	3400-18-000
11	Ø2.5MM DRILL	2201-09-0025
12	AO RATCHETING HANDLE	3400-12-000
13	LAPIDUS TEMPORARY FIXATION TUBE	3400-20-000
14	2.2MM LAPIDUS TEMPORARY FIXATION OLIVE WIRE	3400-19-000



T 800.495.2919 F 877.778.3864

Medshape, Inc.  
1575 Northside Drive NW | Suite 440 | Atlanta, GA 30318 | U.S.A.  
enovis.com/foot-and-ankle

Copyright © 2023 DJO Foot and Ankle  
MK-10321 Rev 00

Individual results may vary. Neither Medshape, Inc. nor any of the Enovis companies dispense medical advice. The contents of this document do not constitute medical, legal, or any other type of professional advice. Rather, please consult your healthcare professional for information on the courses of treatment, if any, which may be appropriate for you.