

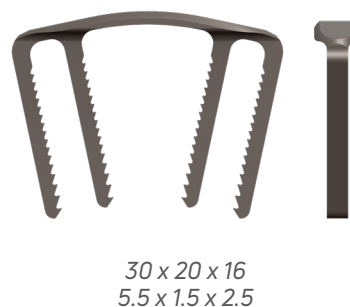
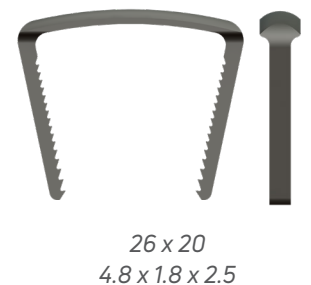
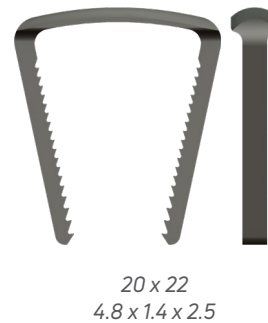
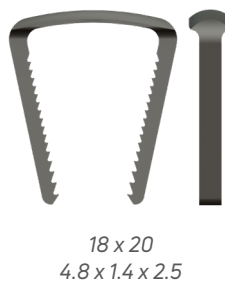
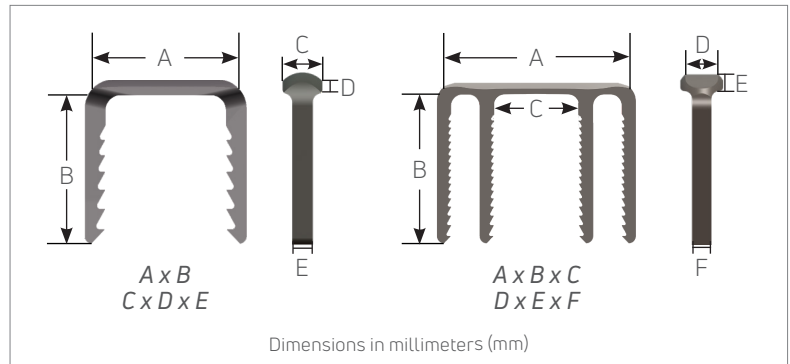
DYNACLIP®

BONE FIXATION THAT EMPOWERS ACTIVE, ADAPTIVE HEALING

STAPLE SYSTEM

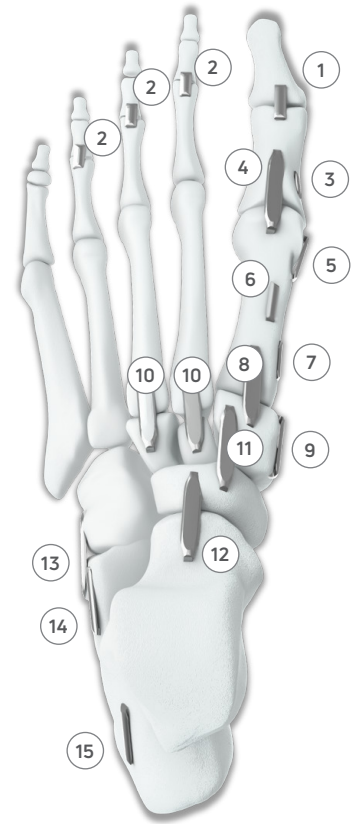
SIZE OFFERINGS & DIMENSIONS

The DynaClip's versatile design, multiple configurations and numerous size offerings allow for dependable durability and dynamic compression across a variety of surgical applications.¹



PROCEDURE GUIDE

	INDICATION	BRIDGE LENGTH X LEG LENGTH
1	HALLUX IPJ FUSION	8 x 8, 10 x 10, 12 x 12
2	LESSER PIPJ FUSION	8 x 8, 10 x 10
3	AKIN OSTEOTOMY	8 x 8, 10 x 10
4	MTPJ FUSION	10 x 10, 12 x 12, 14 x 14, 18 x 18
5	CHEVRON OSTEOTOMY	14 x 14, 18 x 18
6	GENERAL MT OSTEOTOMY	12 x 12, 14 x 14, 18 x 18
7	BASE WEDGE OSTEOTOMY	10 x 10, 12 x 12, 14 x 14, 18 x 18
8	1ST TMT (LAPIDUS) FUSION	12 x 12, 14 x 14, 18 x 18, 20 x 18 FORTE: 26 x 20, 30 x 20
9	COTTON OSTEOTOMY	18 x 18, 18 x 20, 20 x 18, 20 x 22
10	2 ND /3 RD TMT (LISFRANC) FUSION	18 x 18, 18 x 20, 20 x 18, 20 x 22 FORTE: 26 x 20, 30 x 20
11	NAVICULOCUNEIFORM FUSION	14 x 14, 18 x 18, 18 x 20 FORTE: 26 x 20, 30 x 20
12	TALONAVICULAR FUSION	20 x 18, 20 x 22, 26 x 20 FORTE: 26 x 20, 30 x 20
13	CALCANEOCUBOID FUSION	20 x 18, 20 x 22, 26 x 20 FORTE: 26 x 20, 30 x 20
14	EVANS OSTEOTOMY	20 x 18, 20 x 22, 26 x 20
15	DYER OSTEOTOMY	20 x 18, 20 x 22, 26 x 20



	INDICATION	BRIDGE LENGTH X LEG LENGTH
1	DIP ARTHRODESIS	8 x 8, 10 x 10
2	METACARPOPHALANGEAL (MCP) ARTHRODESIS	8 x 8, 10 x 10, 12 x 12, 14 x 14
3	CARPOMETACARPAL (CMC) ARTHRODESIS	10 x 10, 12 x 12, 14 x 14
4	SCAPHOTRAPEZIOTRAPEZOID ARTHRODESIS (STT)	10 x 10, 12 x 12, 14 x 14
5	CAPITATE SHORTENING	10 X 10, 12 X 12, 14 X 14
6	RADIOSCHAPHOLUNATE (RSL) ARTHRODESIS	12 x 12, 14 x 14, 18 x 18, 20 x 18
7	LUNOTRIQUETRAL (LT) JOINT ARTHRODESIS	10 x 10, 12 x 12, 14 x 14
8	RADIOLUNATE ARTHRODESIS	12 x 12, 14 x 14, 18 x 18, 20 x 18
9	THUMB METACARPAL EXTENSION OSTEOTOMY	10 x 10, 12 x 12, 14 x 14
10	SCAPHOID FRACTURE REPAIR PRIMARY/REVISION	10 x 10, 12 x 12, 14 x 14
11	LIMITED INTERCARPAL JOINT ARTHRODESIS (INCLUDING 4-CORNER ARTHRODESIS)	10 x 10, 12 x 12, 14 x 14



T 800.456.8696 D 512.832.9500 F 512.834.6300
1575 Northside Dr NW | Suite 440 | Atlanta, GA 30318 | U.S.A.
djoglobal.com/foot-and-ankle

Copyright © 2021 by DJO, LLC
MK-10171 Rev 04

1. Data on file. MedShape, Inc. 2018.

Individual results may vary. DJO, LLC is a manufacturer of orthopedic implants and does not practice medicine. Only an orthopedic surgeon can determine what treatment is appropriate. The contents of this document do not constitute medical, legal, or any other type of professional advice. This material is intended for the sole use and benefit of the DJO, LLC sales force and physicians. It is not to be redistributed, duplicated, or disclosed without the express written consent of DJO, LLC. For more information on risks, warnings, and possible adverse side effects refer to the Instructions for Use provided with the device.