

DonJoy® ISOFORM™ LSO

Patient Application Instructions

BEFORE USING THE DEVICE, PLEASE READ THE INSTRUCTIONS FOR USE COMPLETELY AND CAREFULLY. CORRECT APPLICATION IS VITAL TO THE PROPER FUNCTIONING OF THE DEVICE.

TO REMOVE BRACE:

To remove the brace, first loosen it by detaching the pull tab from the loop exterior. Then unhook the donning mitt from the loop exterior and take off the brace.

TO RE-APPLY BRACE:

Step 1. Loosen the Brace

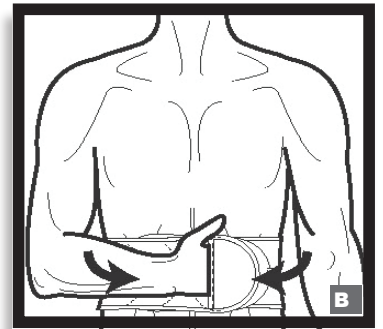
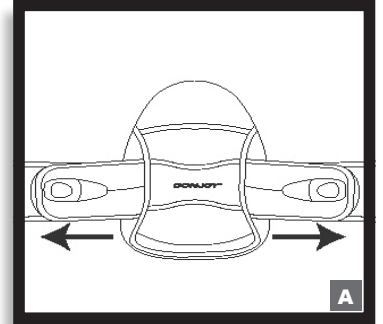
Loosen the brace by detaching the pull tab from the loop exterior. Pull the brace in opposite directions. (Fig. A)

Step 2. Position the Brace

Center the rear section of the belt at the midline of the lower back, so that the belt is just above the crease of the buttocks. Note: The brace is intended to be worn over clothing.

Step 3. Secure the Brace

Secure the hook portion of the donning mitt to the loop exterior. (Fig. B) Before tightening the brace, make sure the rear panel section is positioned evenly on both sides. To tighten the brace, slip your thumbs through the holes in the pull tabs and pull the tabs away from your body. Secure the pull tabs to the loop exterior. Adjust the compression as needed.



HELPFUL TIP: BRACE MIGRATION

To reduce brace migration, follow these easy steps. Before sitting, loosen the brace by detaching the pull tabs. Once seated, tighten the pull tabs by pulling across the body and re-adhering to the loop exterior. When standing up, readjust pull tabs.

HOT/COLD PACK :

If you plan to use a hot/cold pack with the LSO, follow the instructions on the hot/cold pack. Insert hot/cold pack into pocket and adhere to back panel.

USE & CARE INSTRUCTIONS:

Only the soft goods can be wet-cleaned. Before cleaning, open the rear panel pouch and detach the waist belt. (Fig.F) Remove the rigid rear panel from the pouch. To detach the pull tab section, detach the rear panel section by unlooping the waist belt from lacing guide panel. Follow the same steps in reverse to put the brace back together after washing. Hand wash in cold water, less than 86°F (30°C), using mild soap. Air dry.

NOTE: If not rinsed thoroughly, residual soap may cause irritation and deteriorate material.

Do NOT iron. Do NOT tumble dry. Do NOT bleach.

WARNINGS AND CAUTIONS:

If you experience any pain, swelling, sensation changes, excessive discoloration, irritation to the skin or any unusual reaction while using this product, consult your medical professional. If any distortion of the support panels, fraying or deterioration of lace cables is noticed, discontinue use. Brace is intended to be worn over clothing. Brace should be appropriately sized to the patient to ensure proper support and function. If the brace does not fit properly, it may be reshaped and adjusted by a healthcare professional. Care should be taken with patients, especially the elderly, not to apply the brace too tightly, which MAY cause excessive pressure. Patients should be instructed on appropriate tensioning during ongoing use. Patient should see a healthcare professional for a replacement if a product quality issue occurs within the warranty timeframe. Brace should not be exposed to moisturizers, chemicals, or solvents, as they may affect durability.

MATERIAL CONTENTS:

Nylon, Polyester, Polyethylene, Polyurethane, Cotton, Acrylic, Polypropylene, Calcium Carbonate, PVC, Synthetic Rubber, Silicone, EVA.

WARRANTY:

DJO, LLC will repair or replace all or part of the unit and its accessories for material or workmanship defects for a period of six months from the date of sale. To the extent the terms of this warranty are inconsistent with local regulations, the provisions of such local regulations will apply.

RX ONLY. INTENDED FOR SINGLE PATIENT USE.

NOT MADE WITH NATURAL RUBBER LATEX

Individual results may vary. Neither DJO, LLC nor any of its subsidiaries dispense medical advice. The contents of this document do not constitute medical, legal, or any other type of professional advice. Rather, please consult your healthcare professional for information on the courses of treatment, if any, which may be appropriate for you.



DJO, LLC | A DJO Global Company

T 800.336.6569 D 760.727.1280 F 800.936.6569

1430 Decision Street | Vista, CA 92081-8553 | U.S.A.

DJOGlobal.com