



# EXOS FORM™ II

631/637

Doctor: \_\_\_\_\_ Fitter: \_\_\_\_\_

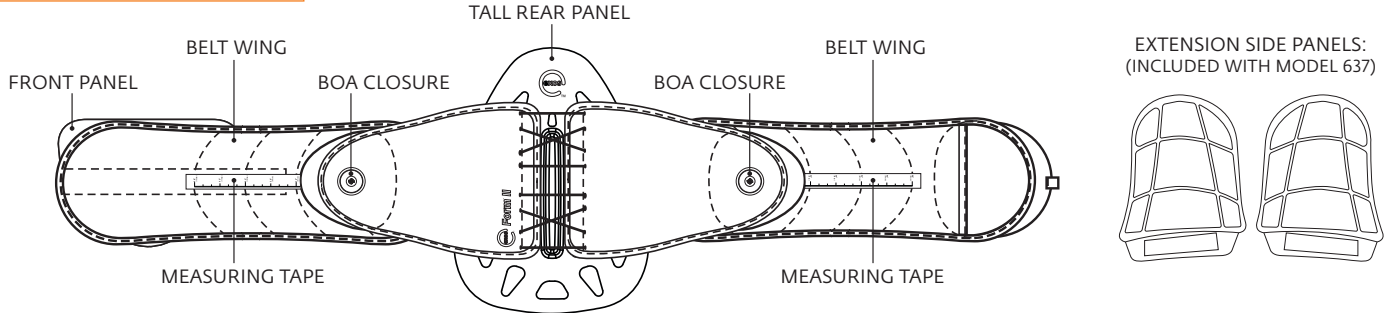
Patient Name: \_\_\_\_\_ Date: \_\_\_\_\_

Patient #: \_\_\_\_\_ Additional Follow-Up Dates: \_\_\_\_\_

TOOLS NECESSARY: Scissors • Heat Gun • Tape Measure • Exos Oven

CHECK APPROPRIATE BOX:  Exos FORM II 631  Exos FORM II 637

## PRODUCT COMPONENTS

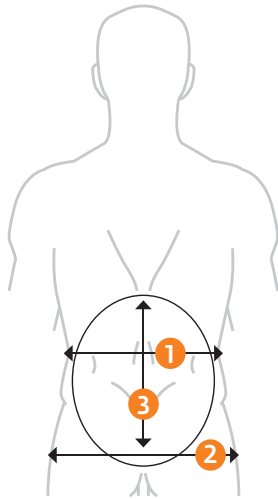


## CLINICAL JUSTIFICATION FOR CUSTOMIZING BRACE

THIS PRODUCT IS INTENDED FOR APPLICATION BY A QUALIFIED INDIVIDUAL AS DIRECTED BY A PHYSICIAN OR OTHER QUALIFIED HEALTHCARE PROFESSIONAL. THIS IS A PREFABRICATED ORTHOSIS. IT IS INTENDED TO BE CUSTOMIZED TO AN INDIVIDUAL PATIENT. FOLLOW THE STEPS BELOW TO CUSTOMIZE.

### STEP 1 - MEASUREMENTS

- 1 Lower rib circumference = \_\_\_\_\_
- 2 Hip circumference = \_\_\_\_\_
- 3 Sacrococcygeal Junction to Thoracic Vertebrae (T9) = \_\_\_\_\_

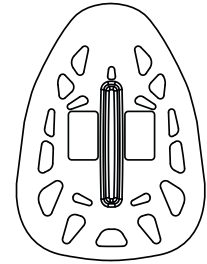


TIME SPENT: \_\_\_\_\_

### STEP 2 - CUSTOMIZE TALL REAR PANEL TO ANATOMY

Measure patient's lordosis and then customize Tall Rear Panel to anatomy.

- A. Separate the panel from the Belt Wings and remove foam liner.
- B. Heat the panel (or portion of panel) until malleable.
- C. Shape appropriately and let cool.
- D. Trim panel and liner if necessary.
- E. Reassemble.



Heat form to individual patient's anatomy and contour to create intimate fit for individual lordosis and soft tissue. Trim for individual patient's anatomy based on 3 \_\_\_\_\_

TIME SPENT: \_\_\_\_\_

### STEP 3 - CUSTOMIZE SIZING

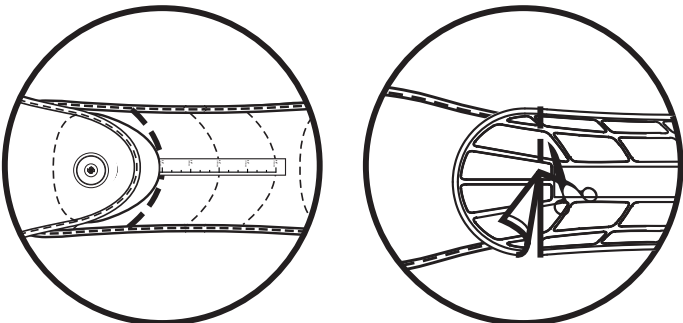
#### SIZING IS CRITICAL TO PROPER PERFORMANCE

Use the measurements below to customize to patient's anatomy.

- A. It may be necessary to adjust Belt Wing length by trimming. To customize the Belt Wing length:
  1. Use waist circumference (average of 1 and 2 \_\_\_\_\_) to determine proper sizing.
  2. Trim Belt Wing according to removable Measuring Tape.
- B. Add-on components (Front Panel and/or Tall Rear Panel) may require factoring in more Belt Wing length.

YES. AMOUNT CUT \_\_\_\_\_  NO

TIME SPENT: \_\_\_\_\_





# EXOS FORM™ II

631/637

Doctor: \_\_\_\_\_ Fitter: \_\_\_\_\_

Patient Name: \_\_\_\_\_ Date: \_\_\_\_\_

Patient #: \_\_\_\_\_ Additional Follow-Up Dates: \_\_\_\_\_

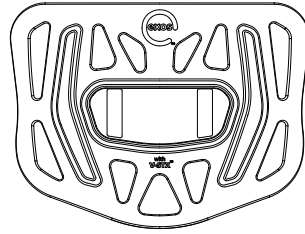
TOOLS NECESSARY: Scissors • Heat Gun • Tape Measure • Exos Oven

CHECK APPROPRIATE BOX:  Exos FORM II 631  Exos FORM II 637

### STEP 4 - CUSTOMIZE FRONT PANEL

MODIFY FRONT PANEL AS NECESSARY

TIME SPENT: \_\_\_\_\_



To customize Front Panel:

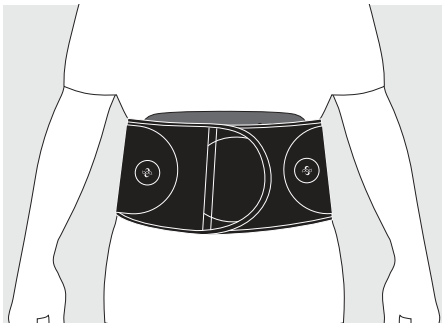
- A. Separate the panel from the Belt Wings and remove foam liner.
- B. Heat the panel until malleable.
- C. Shape appropriately and let cool.
- D. Reassemble.

### STEP 5 - CUSTOMIZE BELT FIT

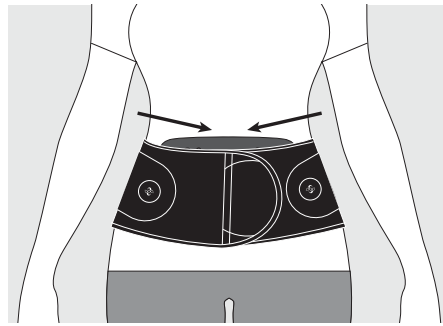
#### ANGLE BELT WINGS

Circumferential contact at both upper and lower margins of brace is essential for proper brace performance and support. Determine angulation for proper fit.

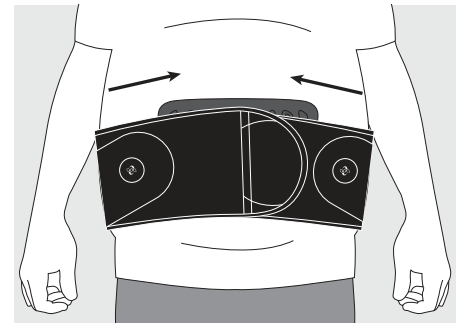
Angle Belt Wings:



Neutral



Inferior Angulation



Superior Angulation

TIME SPENT: \_\_\_\_\_

### STEP 6 - EDUCATION

#### EDUCATE PATIENTS

Proper education is needed for individual to maintain proper fit throughout total time of wear.

Items to educate patients on:

- |                                             |                                                                              |                                                 |                                                                        |
|---------------------------------------------|------------------------------------------------------------------------------|-------------------------------------------------|------------------------------------------------------------------------|
| <input type="checkbox"/> BOA Closure System | <input type="checkbox"/> Proper angulation to ensure circumferential contact | <input type="checkbox"/> Proper cleaning        | <input type="checkbox"/> Watch patient application video               |
| <input type="checkbox"/> Don and doffing    | <input type="checkbox"/> Proper placement of brace                           | <input type="checkbox"/> Follow up appointments | <input type="checkbox"/> Provide patient application instruction sheet |



TIME SPENT: \_\_\_\_\_

TOTAL TIME TO CUSTOMIZE BRACE: \_\_\_\_\_

For product assistance, please contact Product Support at 1-888-405-3251 or email [product.specialist@djoglobal.com](mailto:product.specialist@djoglobal.com)

DJO, LLC | A DJO Global Company  
T 800.553.6019 F 760.683.6937  
1430 Decision Street | Vista, CA 92081-8553 | U.S.A.  
[www.djoglobal.com](http://www.djoglobal.com)